



iLogic^{340W} FS PLUS

MODEL: ILOGIC FS PLUS
VOLTAGE: 200 - 480V

WATTS: 340W
SKU: IL-L340FS-HV

TECHNICAL SPECS

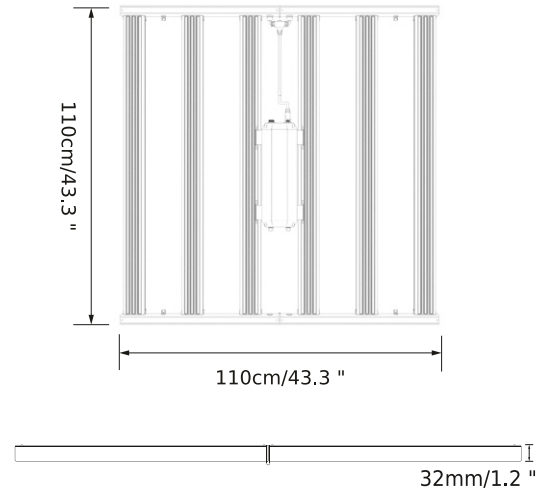
Rated Voltage	200 - 480V
Power Consump	340w ± 5%
Power Supply	Sosen LED Drivers
PPF	1038 μmol
Efficacy	2.88 μmol/J
LED Spectrum	Vegetation Spectrum
Min Power Factor - Power Factor	>0.9
THD	<10%
Crest Factor	<10%
BTU	1100
Frequency	60Hz
Dimming	0 - 100% dimming via RS485
Ambient Temperature - Working	0°C - 35°C / 32° - 95°F
Color Temperature	4100K
Color Rendering Index	80
Relative Humidity	<90%
Emitting Cooling	Aluminum heatsink
Light Distribution - Beam Angle	120 Degrees
Waterproof Rating	IP65
LED Lifespan	50000 hours
Daisy Chain	Unlimited with Plus Repeater
Light Source	Samsung LM281 B+Pro White LED * 1530 pcs Honglitrionic SMD3535 660nm Red LED * 36 pcs

VOLTAGE AND AMPERAGE

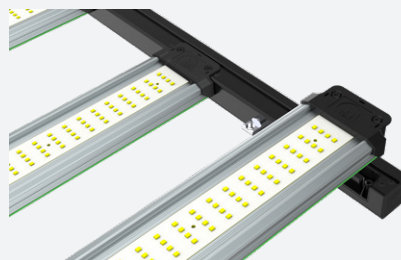
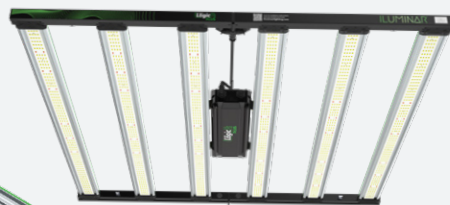
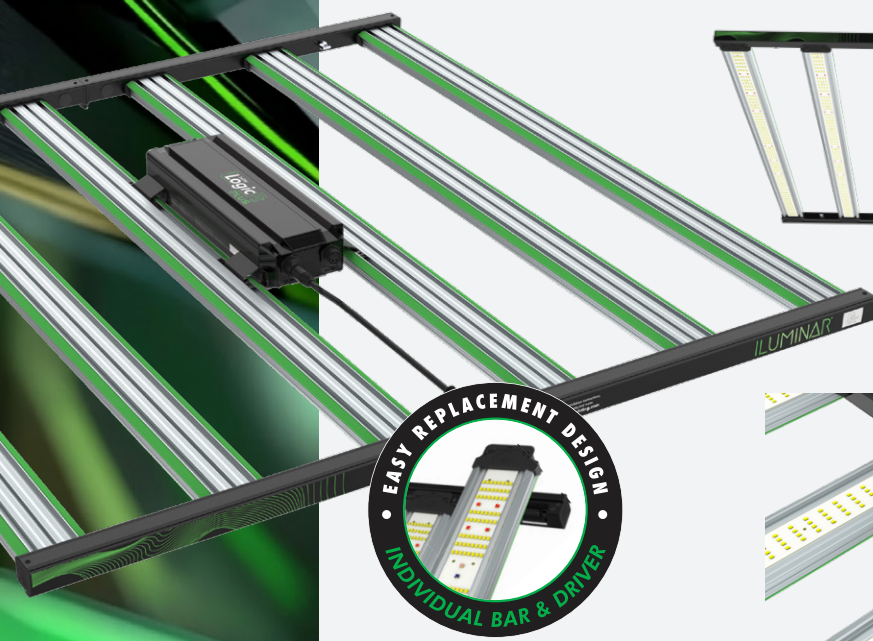
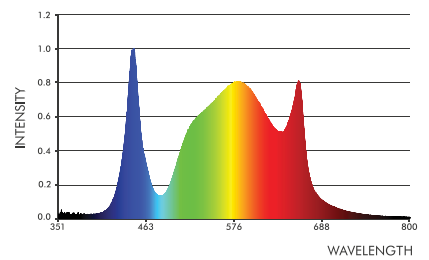
Voltage	240V	277V	347V	480V
Amperage	1.41V	1.22V	0.97A	0.70A

PHYSICAL SPECIFICATIONS

Height 75 mm / 2.9"
Weight - NW/G.W. 11 / 12.5kg | 24.2 / 27.5lbs
Package Size 1130*575*85mm / 44.5* 22.6*3.3"



SPECTRUM



0 This commercial fixture requires a separately purchased Plus Controller to operate.

5 YEAR WARRANTY



www.iluminarlighting.com | 1-877-540-5588 | sales@iluminarlighting.com
© Copyright 2026 ILUMINAR Lighting. Subject to change without notice.